



Powerlux Technology Co., Ltd.

3pcs LED Module Data Sheet



Part No:

- PLM-465-03R Red color**
- PLM-465-03G Green color**
- PLM-465-03B Blue color**
- PLM-465-03S Warm White color**
- PLM-465-03W White color**

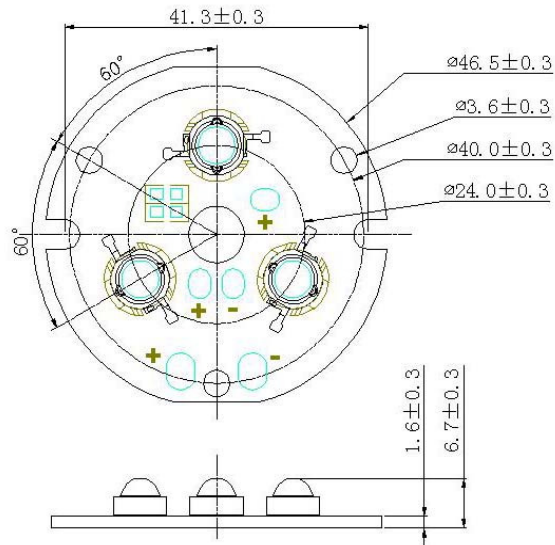
Features

- All colors are available
- Good color uniformity
- Work with Powerlux collimators
- ROHS compliant

Typical Applications

- Reading lights (car, bus, aircraft)
- Portable (flashlight, bicycle)
- Decorative / Entertainment
- Sign and Channel Letter
- Indoor/Outdoor Commercial
- Down Light

Mechanical Dimensions



3 LEDs in series



Part No and Spec

Part No	LED	Typ. Vf@350mA	Typ. Lm
PLM-465-03R	1W Red x 3	6.3V	120
PLM-465-03G	1W Green x 3	9.6V	180
PLM-465-03B	1W Blue x 3	9.6V	50
PLM-465-03S	1W Warm White x 3	9.6V	180
PLM-465-03W	1W White x 3	9.6V	210

Collimators options

Part No	Degree
PL500-3D15	15
PL500-3D25	25
PL500L-3D15	15
PL500L-3D25	25



Please check collimator data sheet for detail dimensions.

Notes:

1. All dimensions are in millimeters.
2. All dimensions without tolerances are for reference only.
3. The collimator rim may be used as a snap-on feature to support the collimator.
3. The Powerlux light source must be protected from any axial or lateral loads caused by the collimator—do not clamp the collimator against the Powerlux emitter.
4. Do not subject to temperatures greater than 75°C as plastic deformation may occur. Protect collimator against exposure to solvents and adhesives that are not compatible with it.