



# Powerlux Technology Co., Ltd.

## φ 346 Collimators Data Sheet

Part no:

**PL346-1D30**

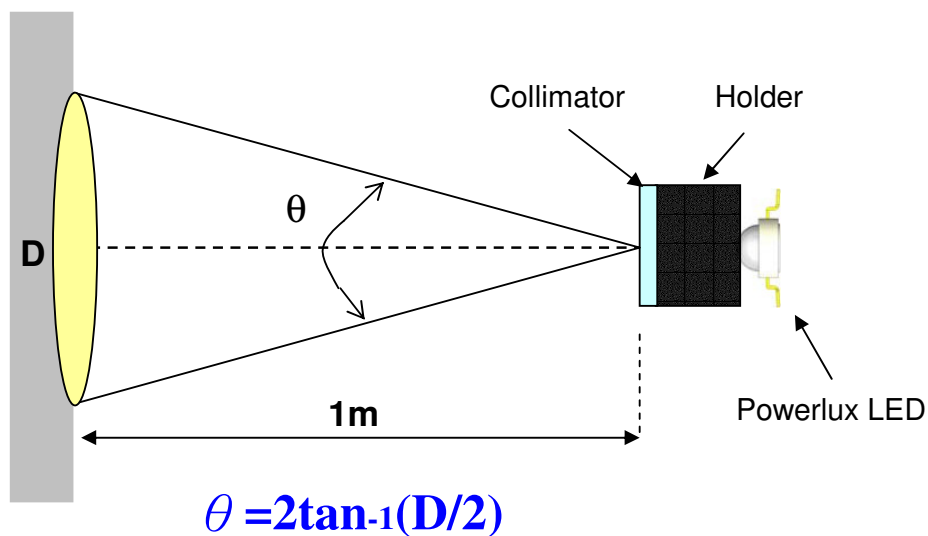
### Features

- High efficiency
- Works with all Powerlux power LEDs
- Lambertian or collimated radiation pattern
- Lens with housing
- ROHS compliant

### Typical Applications

- Reading lights (car, bus, aircraft)
- Portable (flashlight, bicycle)
- Decorative / Entertainment
- Sign and Channel Letter
- Indoor/Outdoor Commercial
- Down Light

### Angle Measurement

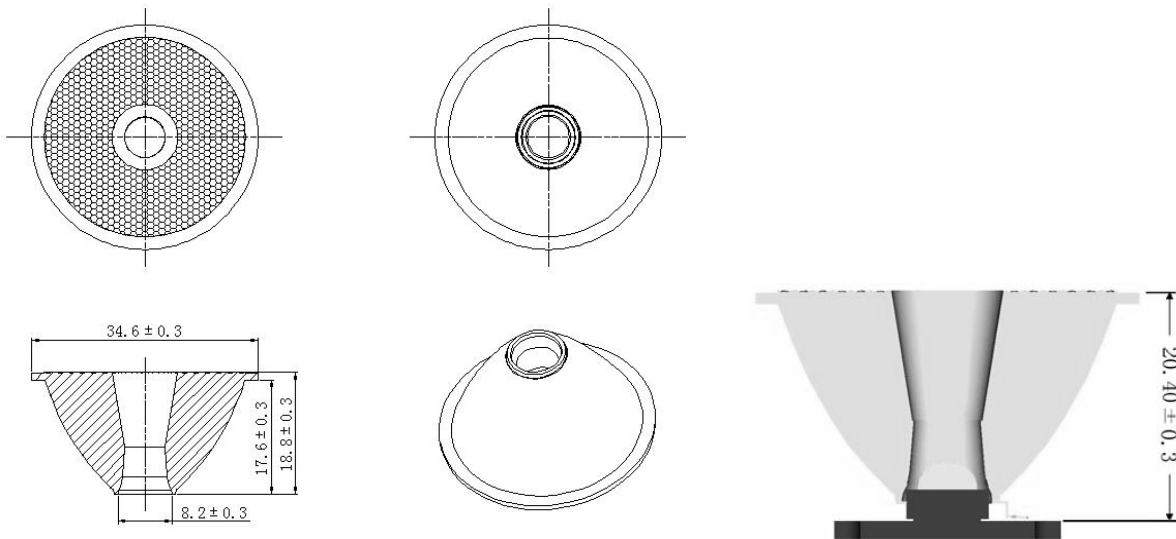


## PL346-1D Series



PL346-1D30

### Mechanical Dimensions



### Optical Specifications



Part No	Type	LED	Degree
PL346-1D30	Medium beam	Powerlux 1W,3W	30

Notes:

1. All dimensions are in millimeters.
2. All dimensions without tolerances are for reference only.
3. The collimator rim may be used as a snap-on feature to support the collimator.
3. The Powerlux light source must be protected from any axial or lateral loads caused by the collimator—do not clamp the collimator against the Powerlux emitter.
4. Do not subject to temperatures greater than 75°C as plastic deformation may occur. Protect collimator against exposure to solvents and adhesives that are not compatible with it.